



CREATING A CLEANER, SAFER, HEALTHIER WORLD.

EQUIPMENT



T3

- Just-scrubbed floors are immediately clean, dry and safe for traffic with ec-H₂O™ and FaST® technologies
- 75% lower sound level (68.5 dBA)
- Easily cleanable, sanitary Hygenic® solution and recovery tanks

A HIGH-PERFORMANCE SCRUBBER-DRYER TO MATCH YOUR HIGHER STANDARDS WITH ec-H2O™ OR FaST® TECHNOLOGY



IMPROVE ENVIRONMENTAL HEALTH IN YOUR FACILITY

Exclusive Hygenic® tanks allow for easy access and hygiene, reducing mould, bacteria and other contaminants that can grow in enclosed tanks.

QUIETLY CLEAN IN NOISE-SENSITIVE ENVIRONMENTS

At only 68.5 decibels, the T3 is 75% quieter than leading competitive models – comparable to normal conversation levels.

DON'T LEAVE BEHIND CLEANING SOLUTION

Even around 180-degree turns, the T3's equal-pressure, parabolic squeegee recovers all cleaning solution from the floor.

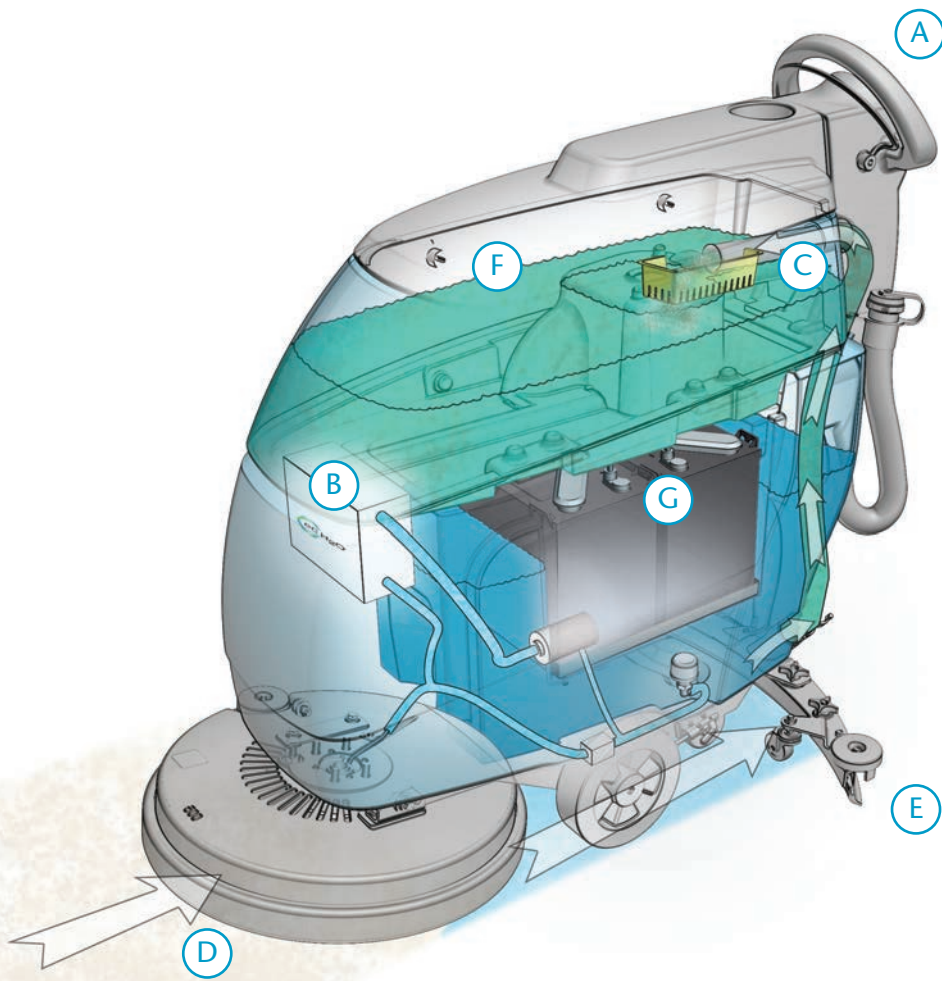
ENGINEERED FOR SAFETY

Minimise the risk of slip-and-fall injuries and help control insurance costs. Floors are clean, dry and safe for foot traffic immediately when scrubbed with ec-H2O and FaST technologies.

Reduce operator fatigue and increase productivity. Ergonomic design makes cleaning with the T3 more comfortable.

Increase scrubbing effectiveness and quality. Clear sight lines and simple controls mean operators can focus solely on their cleaning environment.

INSIDE THE T3



EXCLUSIVE TECHNOLOGIES

(optional cleaning innovations)

All technologies increase scrub time up to three times using a single tank of water.



ec-H2O™ technology electrically converts water into an innovative cleaning solution that cleans effectively, saves money, improves safety, and reduces environmental impact compared to daily cleaning floor chemicals.



FaST® Foam Scrubbing Technology uses up to 70% less water and 90% less chemicals to improve floor traction as certified by NFSI, helping reduce the risk of slip-and-fall accidents.

- A** Easily train new operators to use the simple, intuitive controls.
- B** Scrub for up to 80 minutes on a single tank. Up to 90% longer than comparable machines with Green Seal certified FaST® Foam Scrubbing Technology or ec-H2O™ technology.
- C** Solution and recovery tanks easily cleanable. Exclusive Hygenic® tanks are fully accessible for hygiene.
- D** Eliminate the need for follow-up passes and non-productive mop-ups. A fully self-adjusting splash skirt captures 100% of scrub deck overspray.
- E** Quickly remove and replace brushes and squeegees. Plus, with the “no hassle” squeegee system, there are no tools for maintenance, and the blade is factory set at the optimum recovery angle.
- F** Eliminate operator contact with waste water and prevent clogged hoses/drains with the convenient debris tray.
- G** Save time and storage space with the on-board charger.

ENVIRONMENTAL STEWARDSHIP



ec-H2O and FaST technologies are NFSI (National Floor Safety Institute) Certified. NFSI certification ensures a product has passed a 2-phase testing process, proving the floor product helps to reduce potential for slip-and-fall accidents.



ec-H2O and FaST technologies are registered by NSF International. NSF International is an independent, not-for-profit organisation that ensures formulation and labels on these products meet appropriate food safety regulations.



Tennant FaST 365 and FaST 965 detergents have been awarded the European Eco-label.

This proves that our Tennant FaST detergents have a reduced environmental impact compared to standard detergents



ec-H2O™ technology won the European Business Award 2009 for the Business Innovation of the Year, one of the most prestigious business awards. The European Business Awards (www.businessawardseurope.com) is an independent awards programme designed to recognise and promote excellence, best practice and innovation in the European business community.



Conserve Resources



Reduce Detergents



Increase Safety



Improve Air Quality



Reduce Noise

GENUINE TENNANT PARTS, SUPPLIES AND SERVICE

Tennant Service Programme

- Maximise safety, productivity and uptime
- Control and protect your investment and lower your total cost of ownership
- Benefit from over 200 factory-trained service technicians across Europe

Tennant Parts & Supplies

- Operate your machine with confidence
- Benefit from years of worry-free operation

Tennant Cleaning Solutions

- Obtain sustainable cleaning results every time
- Choose sustainable benefits your company wants

T3 WALK-BEHIND SCRUBBER-DRYER

SCRUBBING SYSTEM

	430MM PAD ASSIST	500MM WITH DRIVE
Productivity (per hour)		
Theoretical Max	1720 m ² /h	2500 m ² /h
Estimated Coverage Conventional*	950 m ² /h	1125 m ² /h

ec-H2O / FaST

SOLUTION DELIVERY SYSTEM

Solution tank description	Full access & cleanable	Full access & cleanable
Solution capacity	40 L	40 L

RECOVERY SYSTEM

Recovery tank description	Full access & cleanable	Full access & cleanable
Recovery tank capacity	57 L	57 L
(include demisting chamber)		
Vacuum motor	0,5 hp/0,37 KWw- two stage	0,5 hp/0,37 KWw- two stage
Vac motor CFM	184 mm	184 mm
Vac motor sealed waterlift	1020 mm	1020 mm

BATTERY SYSTEM

System voltage	24 Volt	24 volt
Battery amp hour rating	110Ah C5	110Ah C5
Battery run time	3,5h	2,6h
Brush/Pad pressure	23 kg	19 kg

MACHINE SPECIFICATIONS

Product width with squeegee	490 mm	760 mm
Product height	1090 mm	1090 mm
Product weight (with batteries)	174 Kg	175 Kg
Power consumption amps	27 amp nominal	29 amp nominal
Decibel rating (operator's position)	68,5 dBA	

WARRANTY

24 Months (or 2000 running hours) on parts and 12 months (or 1000 running hours) on labour, whichever comes first, excluding wear items.

Specifications subject to change without notice.

SEEING IS BELIEVING

For a demonstration or additional information contact us:

TENNANT UK CLEANING SOLUTIONS LTD

Gladstone Road
Northampton NN5 7RX
UNITED KINGDOM
Tel: 0800 111 4402 (local rate UK only)
Tel: 01604 583191
Fax: 0845 052 9349
Email: sales.uk@tennantco.com
Email: enquiries@tennantco.com

TENNANT EUROPE NV

Plantin & Moretuslei 220
2018 Antwerp
BELGIUM
Tel: +32 3 217 94 11
Fax: +32 3 217 94 19
E-mail: europe@tennantco.com